

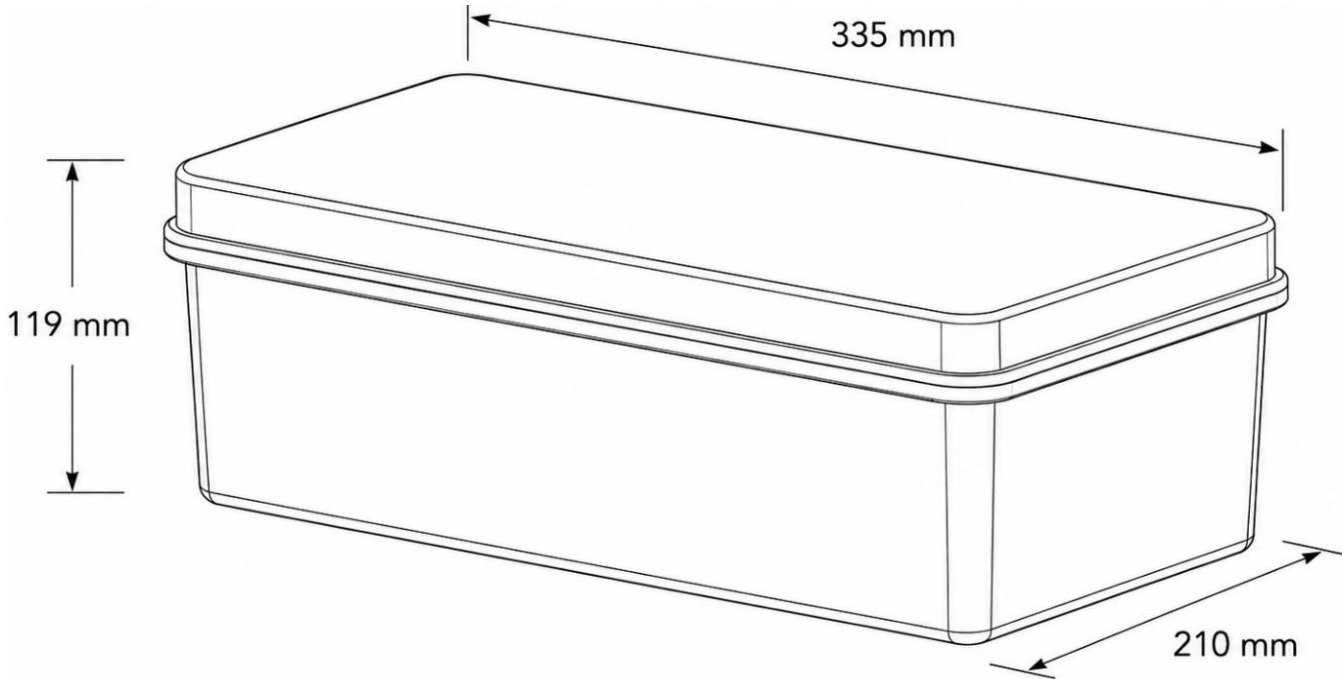
PRODUCT DATA SHEET

PRODUCT CODE: DSC7854

DESCRIPTION: PP-IML Container for Food Packaging



TECHNICAL DRAWINGS & PICTURES



MATERIAL, COLOR, QUALITY CONTROL and WEIGHT

Containers and lids are produced by polypropylene in grades approved for food packaging according to New Code for Foodstuff and beverages 1998, Chapter II, Art.26.

Both lid and the container are food grade for human consumption.

100%
Recyclable
PP Material



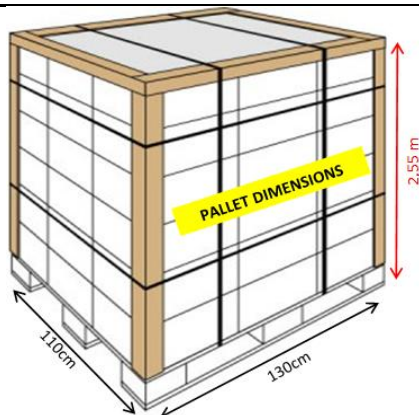
DSC7854 container and lid can be produced with all colors as per the demand of the customer.

Production is certificated according to EN ISO 9001:2000.

Container: 185 gr (±%5) Lid: 84 gr (±%5) Volume:4000 ml



LOGISTIC & PALLETISING



| | | | |
|------------------------------|---|-------------|--------------------|
| Quantity per Pallet | : | 720 pieces | (Tub) |
| Quantity per Pallet | : | 1200 pieces | (Lid) |
| Quantity per Truck | : | 185.60 sets | (Set = Body + Lid) |
| Quantity per 40'HC Container | : | 13.500 sets | (Set = Body + Lid) |
| Quantity per 20'DC Container | : | 4.950 sets | (Set = Body + Lid) |

