

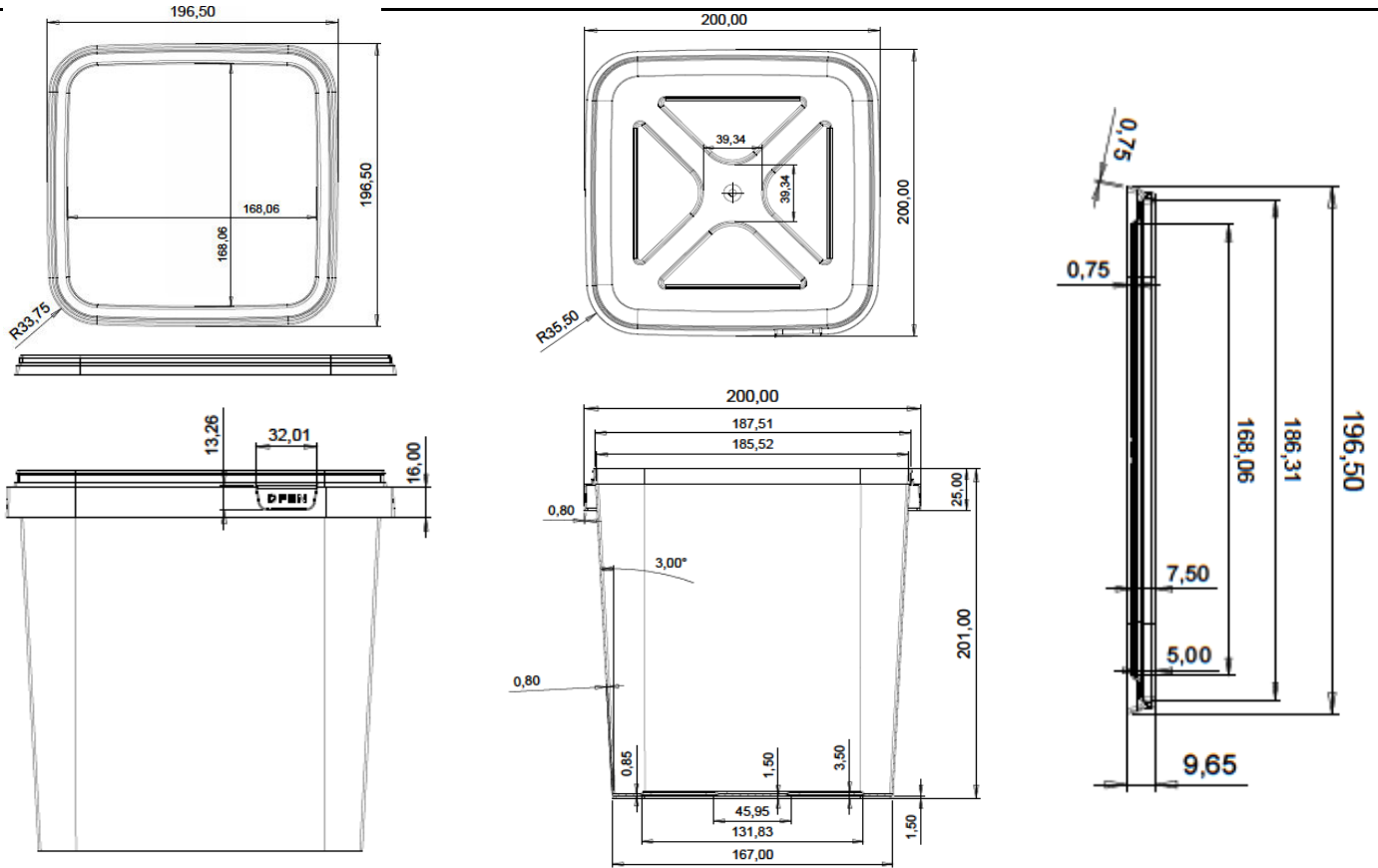
PRODUCT DATA SHEET

PRODUCT CODE: DKK5600

DESCRIPTION: PP-IML Container for Food Packaging



TECHNICAL DRAWINGS & PICTURES



MATERIAL, COLOR, QUALITY CONTROL and WEIGHT

Containers and lids are produced by polypropylene in grades approved for food packaging according to New Code for Foodstuff and beverages 1998, Chapter II, Art.26.

Both lid and the container are food grade for human consumption.

DKK5600 container and lid can be produced with all colors as per the demand of the customer.

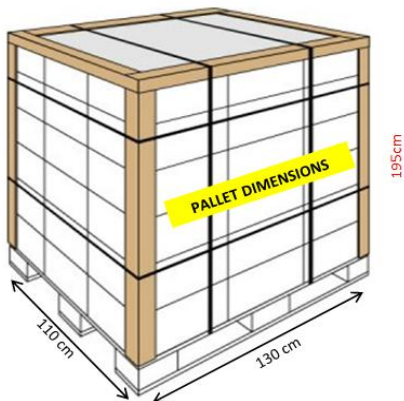
Production is certificated according to EN ISO 9001:2000.

Bucket: 132 gr (±1) Lid: 31,50 gr (±1) Volume: 5960 ml

100%
Recyclable
PP Material



LOGISTIC & PALLETISING



Pallet Dimensions : 110 x 130 x 195cm
Quantity/Pallet (Sets) : 1.500 pieces

Quantity/Standart Truck : 33.000 pieces (Buckets&Lids)
Quantity/40'HC Container : 27.000 pieces (Buckets&Lids)
Quantity/20'DC Container : 12.000 pieces (Buckets&Lids)

