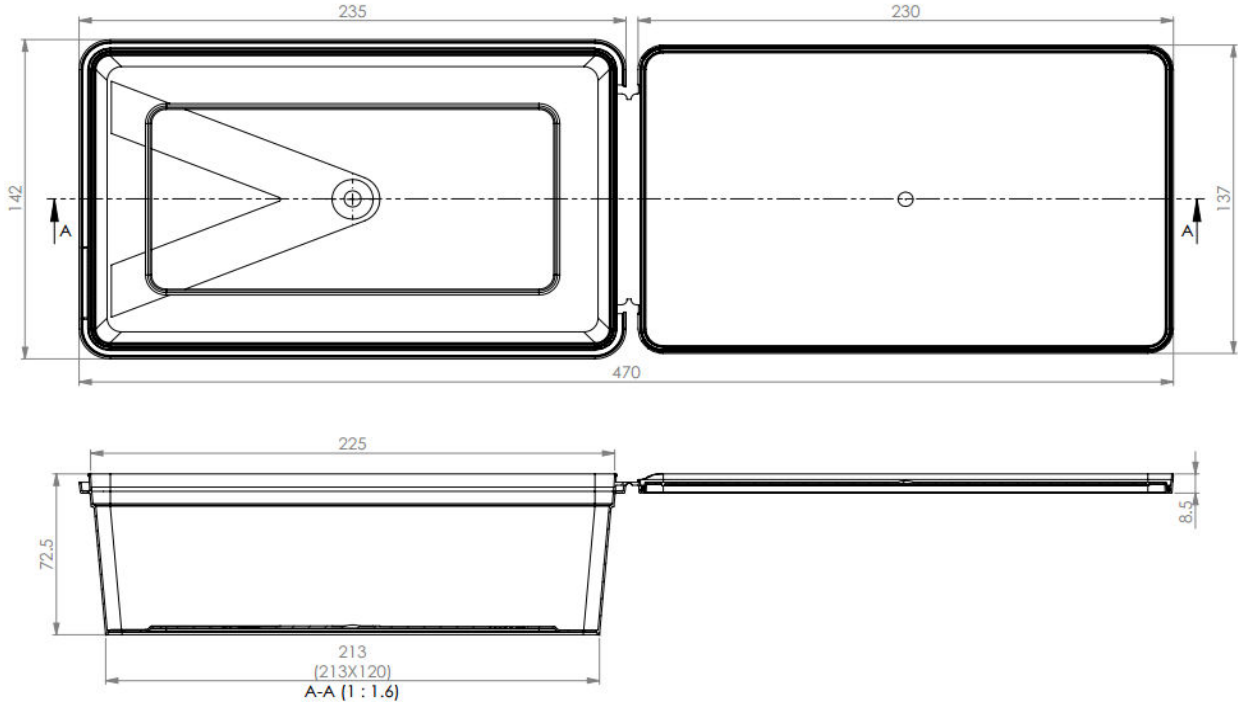


Date : 02.01.2024
 Product Code : DX1538
 Subject : Product Data Sheet

TECHNICAL DRAWINGS & PICTURES



MATERIAL, COLOR, QUALITY CONTROL and WEIGHT

Divan Ambalaj tubs and lids are produced by polypropylene in grades approved for food packaging according to New Code for Foodstuff and beverages 1998, Chapter II, Art.26.

Both lid and the container are food grade for human consumption.

DKK1538 tub and lid can be produced with all colors including transparent.

Production is certificated according to EN ISO 9001:2000.

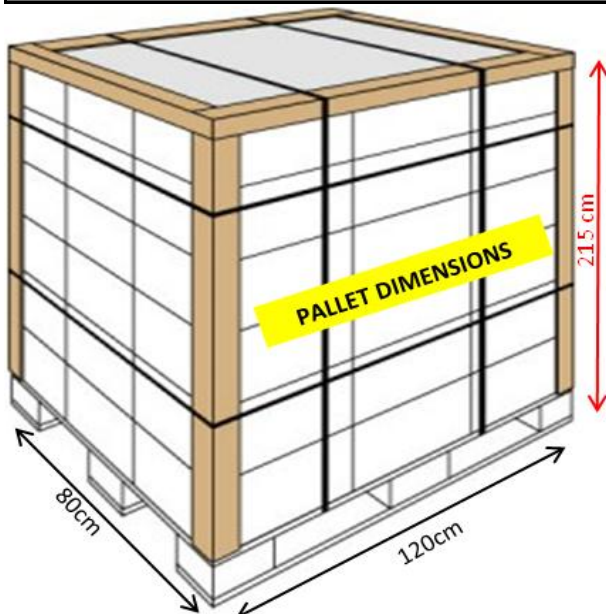
Tub+Lid: 82,0 gr (±5%)

Volume: 1600 ml

**100%
 Recyclable
 PP Material**



LOGISTIC & PALLETISING



Box Dimensions (w*l*h) : 40*80*41 cm

Quantity / Box : 104 sets

Boxes / Pallet : 15 pcs

Quantity / Pallet : 1.560 pcs

Quantity / Standard Truck : 51.480 pcs

Quantity / 20'DC Container : 17.160 pcs

Quantity / 40'HC Container : 37.440 pcs

