

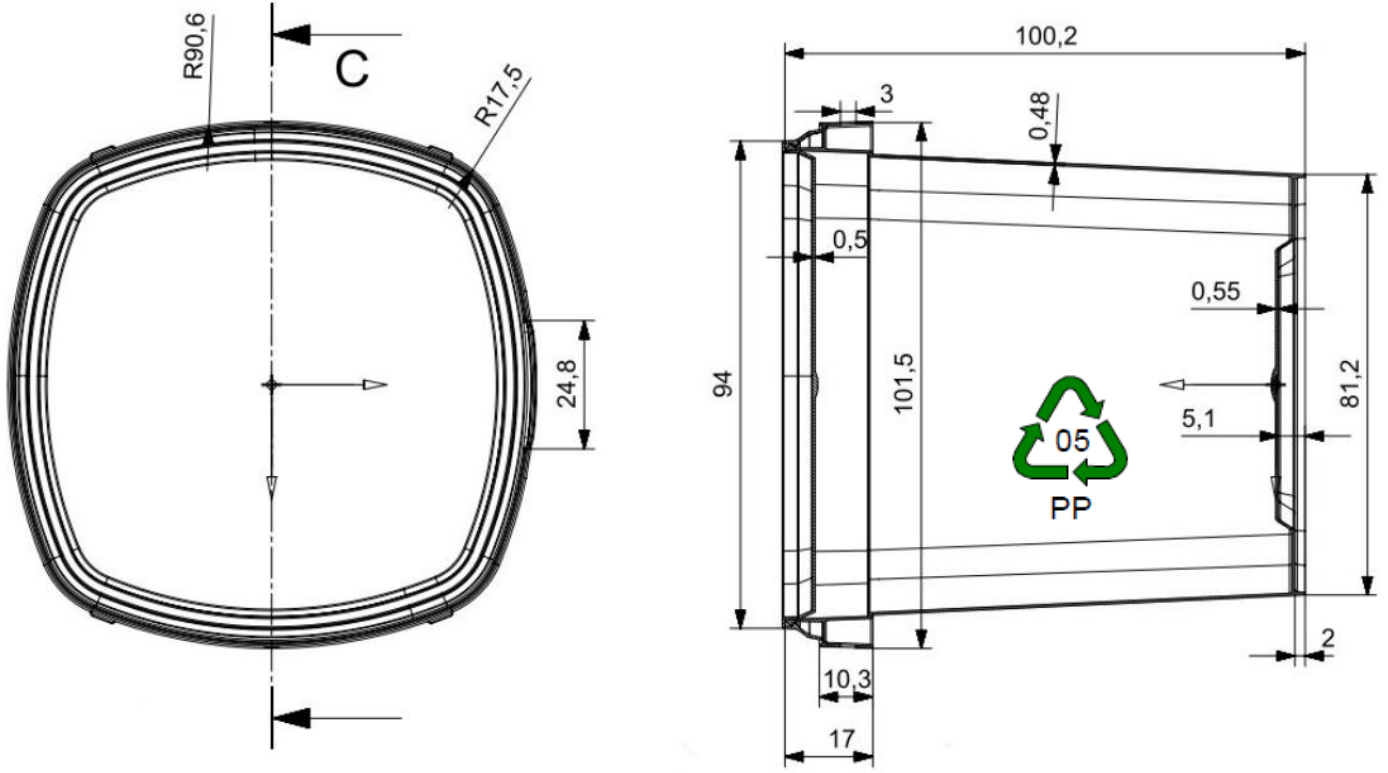
Product Data Sheet

for
DOK595

$$\sum_{i=1}^{\infty} P_i$$

DivanPackaging

www.divanpackaging.com



Parts are produced by polypropylene in grades approved for food packaging & human consumption according to New Code for Foodstuff and beverages 1998, Chapter II, Art.26.

Decoration Methods for the Tub: IML Self Adhesive Label Dry Offset Printing Shrink Sleeve Label
Decoration Methods for the Lid: IML Self Adhesive Label Dry Offset Printing Shrink Sleeve Label
Content's Safety can be Provided By: Tamper Evident Container Heat Sealing Tamper Sleeve

Unit weight of the tub is 19 gr / Unit weight of the lid is 5,5 gr / Total unit weight is 24,5 gr
Filling volume is 550 ml

ARE TUBS PACKED TOGETHER WITH LIDS IN THE SAME CARTON BOX? Yes No

Carton Box Dimensions (for TUBs): 42*63*50 cm Quantity / Box (for TUBs): 600 pieces
Pallet Dimensions (for TUBs): 80*120*230 cm Quantity / Pallet (for TUBs): 9.600 pieces
Carton Box Dimensions (for LIDs): 40*60*27 cm Quantity / Box (for LIDs): 1.800 pieces
Pallet Dimensions (for LIDs): 80*120*231 cm Quantity / Pallet (for LIDs): 57.600 pieces

Loading Quantities (FCL and FTL)

FCL (20'DV) (With Pallets): 90.500 pieces FCL (40'HC) (With Pallets): 197.500 pieces FTL (With Pallets): 271.500 pieces

Notes:

.....
.....
.....

Divan Ambalaj Plastik ve Gıda San.Tic.Ltd.Şti.

IOSB Giy.San.Sit 3A#207 Başakşehir, İstanbul, Türkiye | www.divanpackaging.com