

PRODUCT DATA SHEET

PRODUCT CODE: DYK350

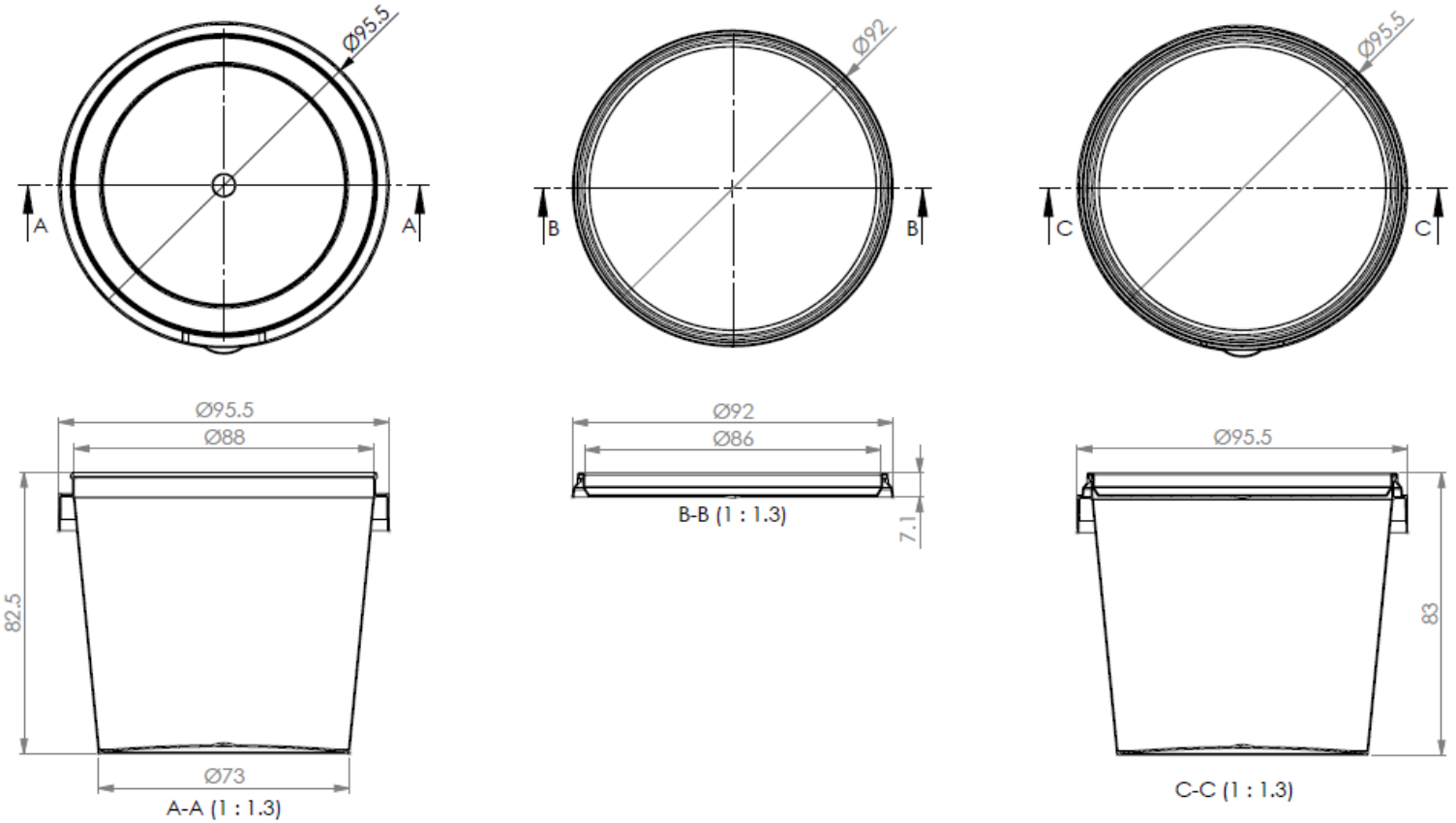
$$\sum_{i=1}^{\infty} P_i$$

DivanPackaging

www.divanpackaging.com

DESCRIPTION: PP-IML Container for Food Packaging

TECHNICAL DRAWINGS & PICTURES



MATERIAL, COLOR, QUALITY CONTROL and WEIGHT

Containers and lids are produced by polypropylene in grades approved for food packaging according to New Code for Foodstuff and beverages 1998, Chapter II, Art.26.

Both lid and the container are food grade for human consumption.

100%
Recyclable
PP Material



DYK350 container and lid can be produced with all colors as per the demand of the customer.

Production is certificated according to EN ISO 9001:2000.

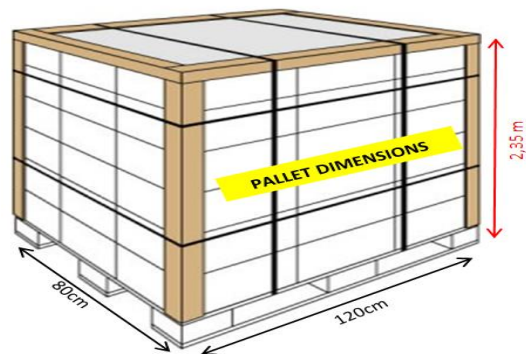
Container: 14,5 gr ($\pm 5\%$)

Lid: 4 gr ($\pm 5\%$)

Brimful Volume: 370 ml



LOGISTIC & PALLETISING



Box Dimensions	:	40*60*44 cm	(w * l * h)
Boxes per Pallet	:	20	
Quantity per Pallet	:	12.000 pieces	(Tub)
Quantity per Pallet	:	55.200 pieces	(Lid)
Quantity per Truck	:	325.347 sets	(Set = Body + Lid)
Quantity per 40'HC Container	:	246.475 sets	(Set = Body + Lid)
Quantity per 20'DC Container	:	108.449 sets	(Set = Body + Lid)

