

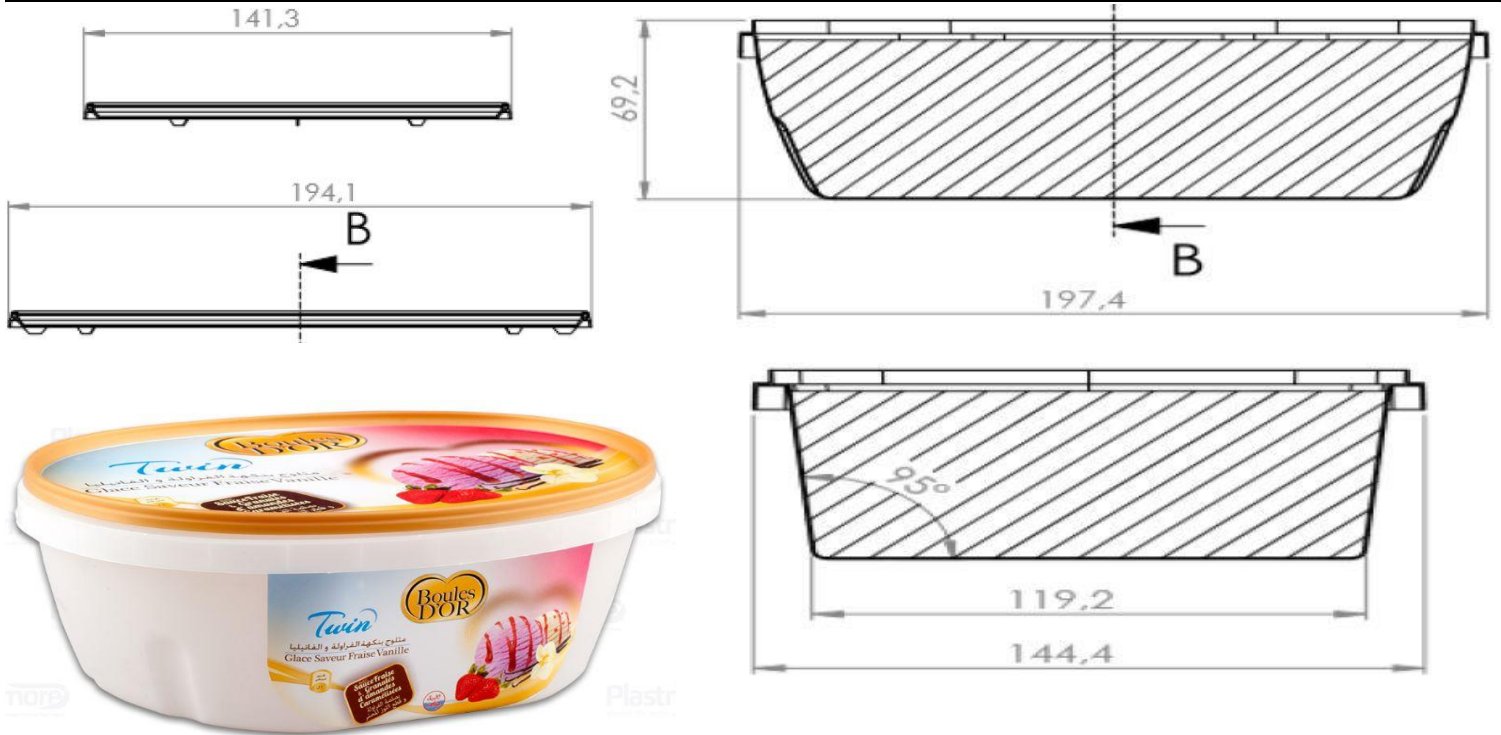
# PRODUCT DATA SHEET

PRODUCT CODE: DÖK1014

DESCRIPTION: PP-IML Container for Food Packaging



## TECHNICAL DRAWINGS & PICTURES



## MATERIAL, COLOR, QUALITY CONTROL and WEIGHT

Containers and lids are produced by polypropylene in grades approved for food packaging according to New Code for Foodstuff and beverages 1998, Chapter II, Art.26. Both lid and the container are food grade for human consumption.

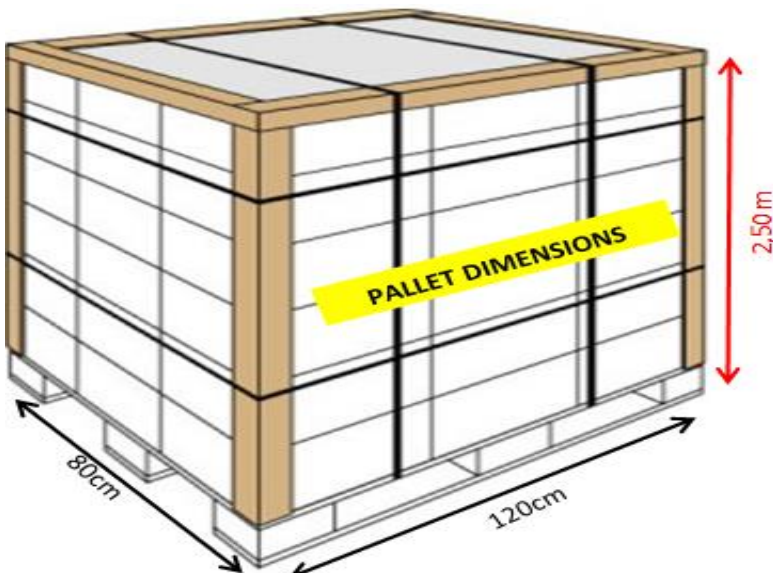


DÖK1014 container and lid can be produced with all colors as per the demand of the customer. Production is certificated according to EN ISO 9001:2000.

Container: 35,0 gr (±1)      Lid: 16,5 gr (±1)      Volume: 1000 ml



## LOGISTIC & PALLETISING



- Carton Box Dimensions : 59\*40\*48 cm (w\*h) (tub)
- Carton Box Dimensions : 59\*40\*48 cm (w\*h) (lid)
- Quantity / Carton Box : 240 pcs (tub)
- Quantity / Carton Box : 1.080 pcs (lid)
- Quantity / 40'HC : 123.120 pcs