

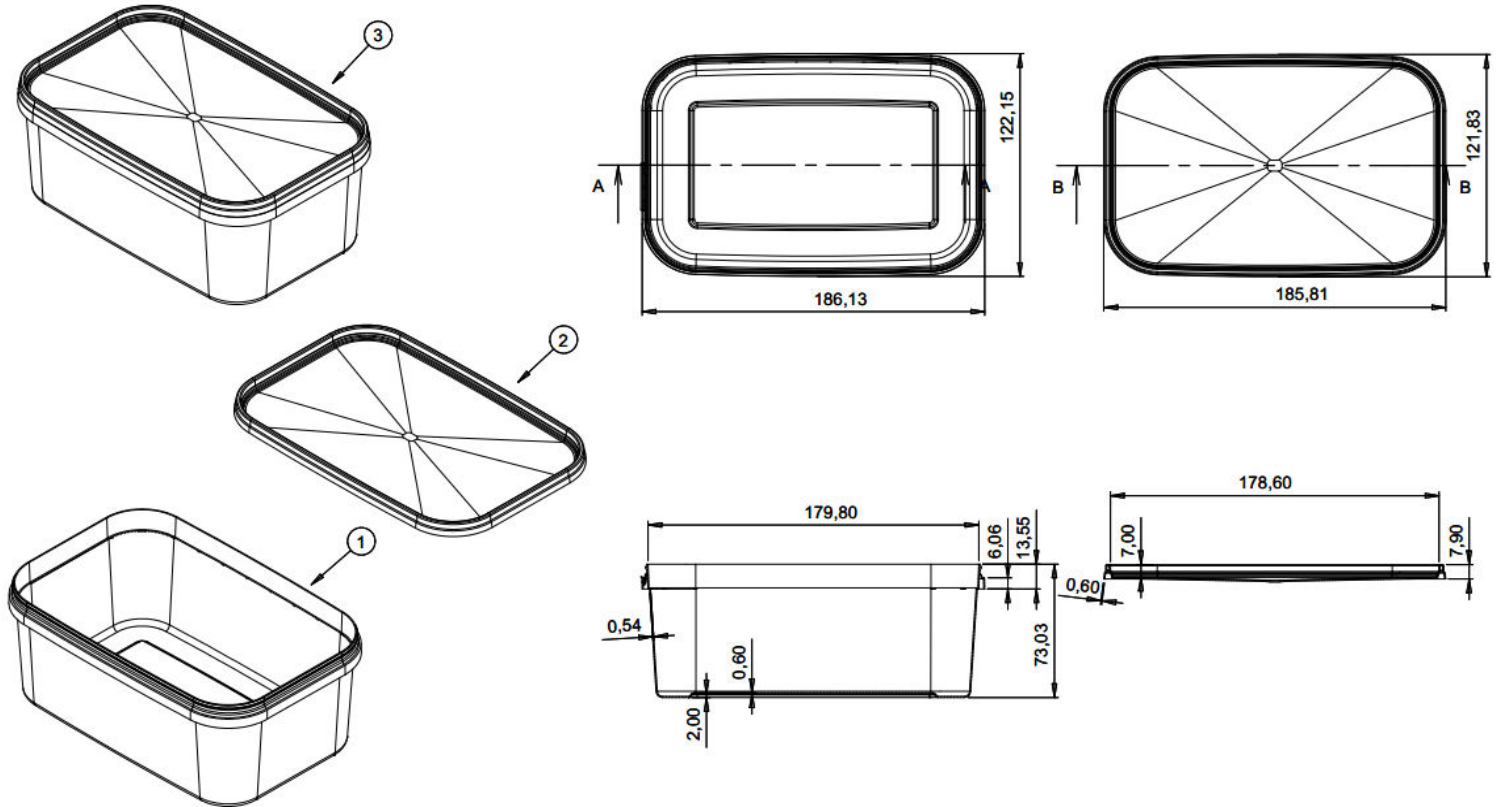
PRODUCT DATA SHEET

PRODUCT CODE: DKK1100

DESCRIPTION: PP-IML Container for Food Packaging



TECHNICAL DRAWINGS & PICTURES



MATERIAL, COLOR, QUALITY CONTROL and WEIGHT

Bodies and lids are produced by polypropylene in grades approved for food packaging according to New Code for Foodstuff and beverages 1998, Chapter II, Art.26.

Both lid and body are food grade for human consumption.



DKK1100 body and lid can be produced with all colors as per the demand of the customer.

Production is certificated according to EN ISO 9001:2000.

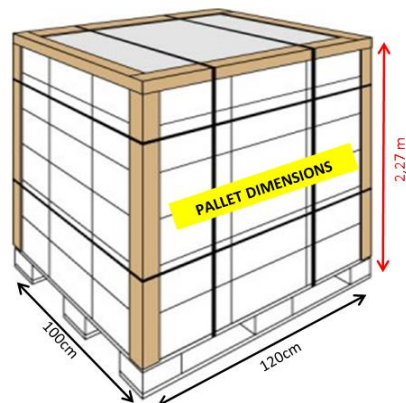
Body: 33 gr (±%5)

Lid: 16 gr (±%5)

Volume: 1100 ml



LOGISTIC & PALLETISING



Box Dimensions	: 50*57*53 cm (w * l * h)
Boxes per Pallet	: 16
Quantity per Pallet	: 4.800 pieces (Set)
Quantity per Truck	: 124.800 sets (Set = Tub + Lid)
Quantity per 40'HC Container	: 100.800 sets (Set = Tub + Lid)
Quantity per 20'DC Container	: 48.000 sets (Set = Tub + Lid)

