

# PRODUCT DATA SHEET

PRODUCT CODE: DKK125

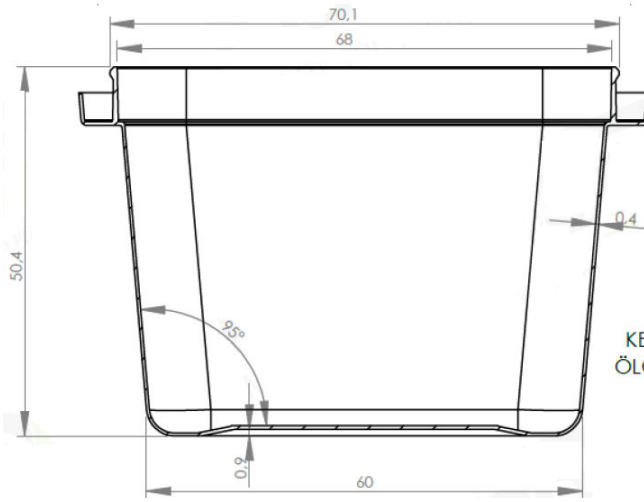
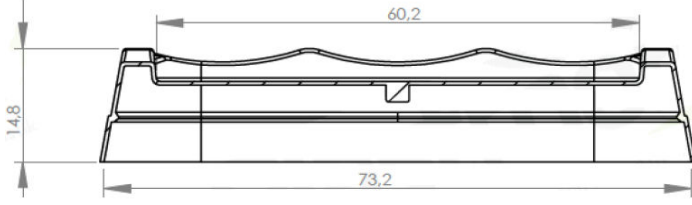
DESCRIPTION: PP-IML Container for Food Packaging

$$\sum_{i=1}^{\infty} P_i$$

DivanPackaging

www.divanpackaging.com

## TECHNICAL DRAWINGS & PICTURES



## MATERIAL, COLOR, QUALITY CONTROL and WEIGHT

Containers and lids are produced by polypropylene in grades approved for food packaging according to New Code for Foodstuff and beverages 1998, Chapter II, Art.26.

Both lid and the container are food grade for human consumption.

100%  
Recyclable  
PP Material



DKK100 container and lid can be produced with all colors as per the demand of the customer.

Production is certificated according to EN ISO 9001:2000.

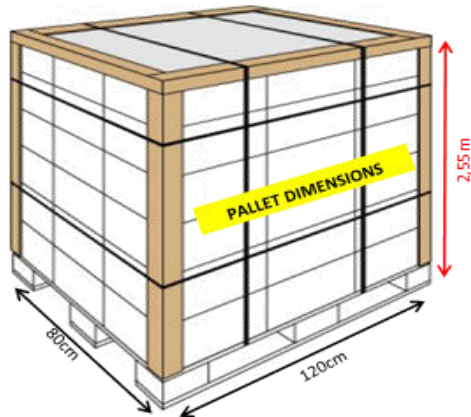
Container: 8 gr (±0,5)

Lid: 4 gr (±0,5)

Volume: 125 ml



## LOGISTIC & PALLETISING



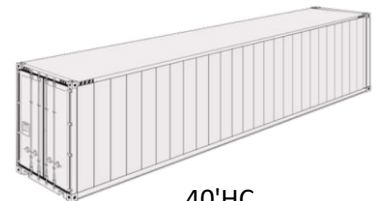
|                              |   |               |                    |
|------------------------------|---|---------------|--------------------|
| Box Dimensions (tub)         | : | 58*40*48 cm   | (w * l * h)        |
| Box Dimensions (lid)         | : | 40*40*46 cm   | (w * l * h)        |
| Boxes per Pallet (Tub)       | : | 20            |                    |
| Boxes per Pallet (Lid)       | : | 30            |                    |
| Quantity per Pallet          | : | 35.280 pieces | (Tub)              |
| Quantity per Pallet          | : | 45.000 pieces | (Lid)              |
| Quantity per Truck           | : | 652.500 sets  | (Set = Body + Lid) |
| Quantity per 40'HC Container | : | 494.300 sets  | (Set = Body + Lid) |
| Quantity per 20'DC Container | : | 217.500 sets  | (Set = Body + Lid) |



Standart Truck



20'DC



40'HC