

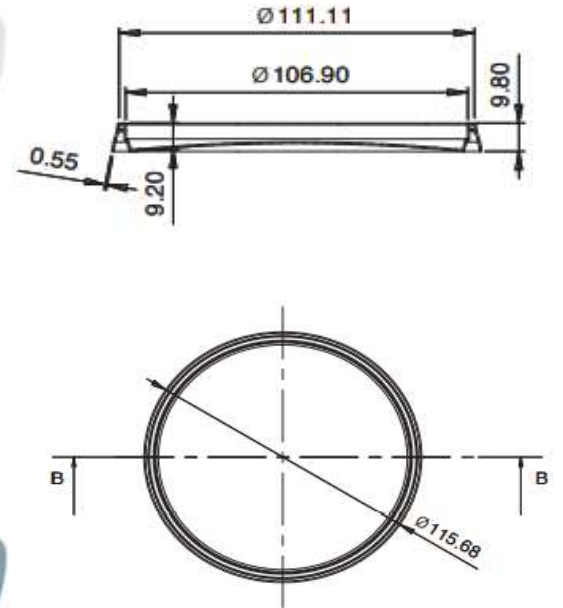
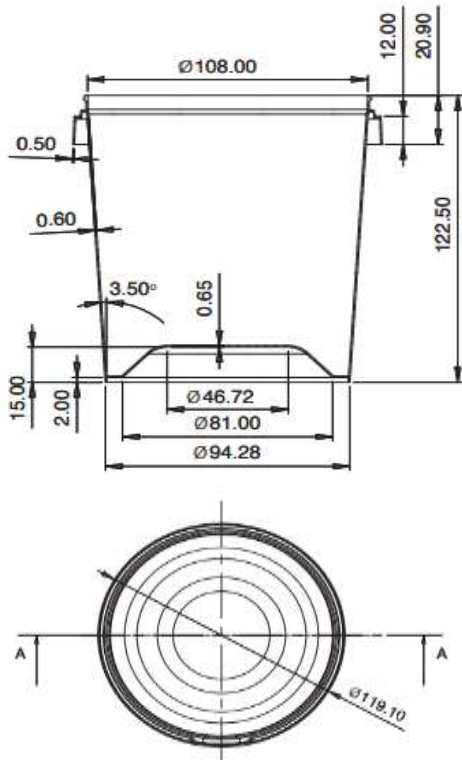
# PRODUCT DATA SHEET

PRODUCT CODE: DYK850

DESCRIPTION: PP-IML Bucket for Food Packaging



## TECHNICAL DRAWINGS & PICTURES



## MATERIAL, COLOR, QUALITY CONTROL and WEIGHT

Buckets and lids are produced by polypropylene in grades approved for food packaging according to New Code for Foodstuff and beverages 1998, Chapter II, Art.26.

Both lid and the bucket are food grade for human consumption.

DYK850 container and lid can be produced with all colors as per the demand of the customer.

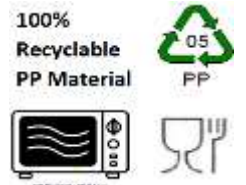
Production is certificated according to EN ISO 9001:2000.

Bucket: 31 gr ( $\pm 5\%$ )

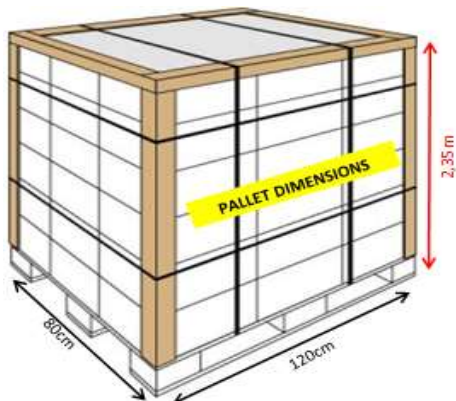
Lid: 7,5 gr ( $\pm 5\%$ )

Handle: 1,5 gr ( $\pm 5\%$ )

Volume: 850 ml



## LOGISTIC & PALLETISING



Box Dimensions	:	40*60*44 cm	(w * l * h)
Boxes per Pallet	:	20	
Quantity per Pallet	:	4.800 pieces	(Tub)
Quantity per Pallet	:	28.000 pieces	(Lid)
Quantity per Truck	:	135.000 sets	(Set = Body + Lid)
Quantity per 40'HC Container	:	102.000 sets	(Set = Body + Lid)
Quantity per 20'DC Container	:	45.000 sets	(Set = Body + Lid)

