

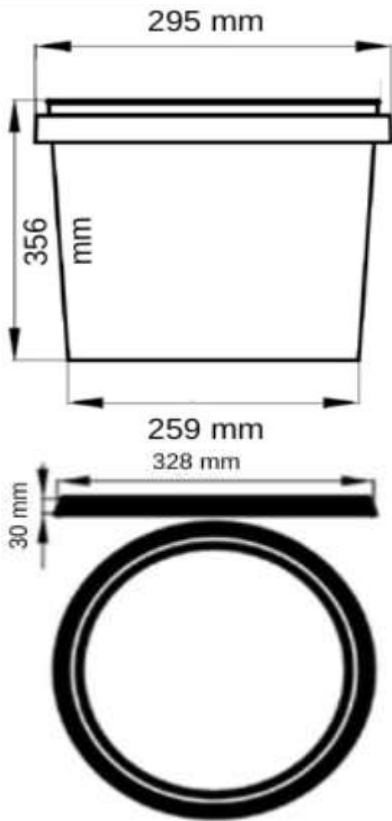
PRODUCT DATA SHEET

PRODUCT CODE: DYK25000

DESCRIPTION: PP-IML Container for Food Packaging



TECHNICAL DRAWINGS & PICTURES



MATERIAL, COLOR, QUALITY CONTROL and WEIGHT

Containers and lids are produced by polypropylene in grades approved for food packaging according to New Code for Foodstuff and beverages 1998, Chapter II, Art.26.

Both lid and the container are food grade for human consumption.

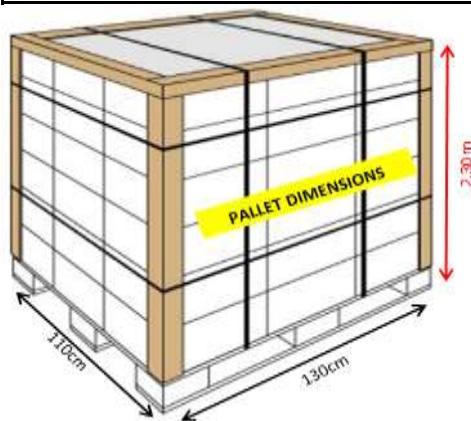
DYK25000 container and lid can be produced with all colors as per the demand of the customer.

Production is certificated according to EN ISO 9001:2000.

Container: 779 gr (±%2) Lid: 205 gr (±%2) Volume: 25.000 ml



LOGISTIC & PALLETISING



Quantity per Pallet	:	250 pieces	(Tub)
Quantity per Pallet	:	1200 pieces	(Lid)
Quantity per Truck	:	4.550 sets	(Set = Body + Lid)
Quantity per 40'HC Container	:	3.724 sets	(Set = Body + Lid)
Quantity per 20'DC Container	:	1.655 sets	(Set = Body + Lid)

