

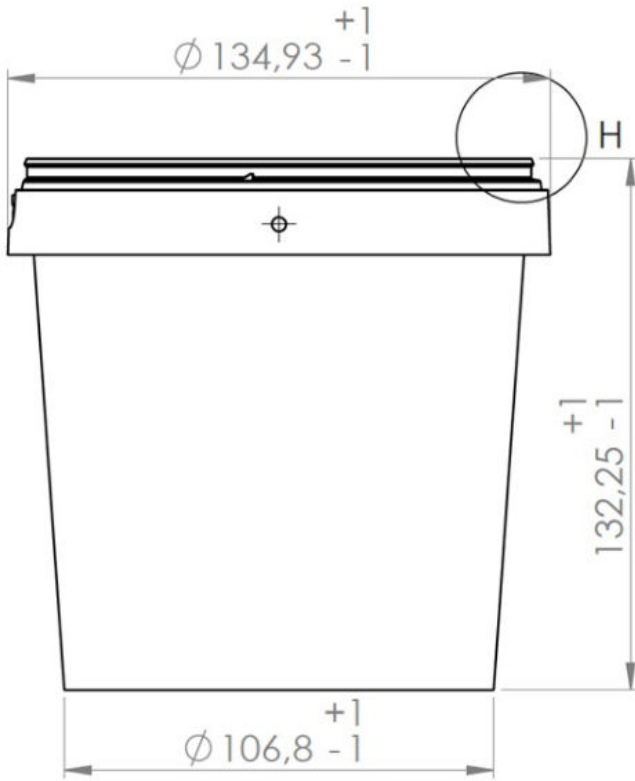
# PRODUCT DATA SHEET

PRODUCT CODE: DYK1185

DESCRIPTION: 1L PP-IML Bucket for Food Packaging



## TECHNICAL DRAWINGS & PICTURES

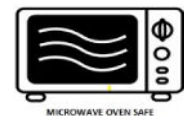


## MATERIAL, COLOR, QUALITY CONTROL and WEIGHT

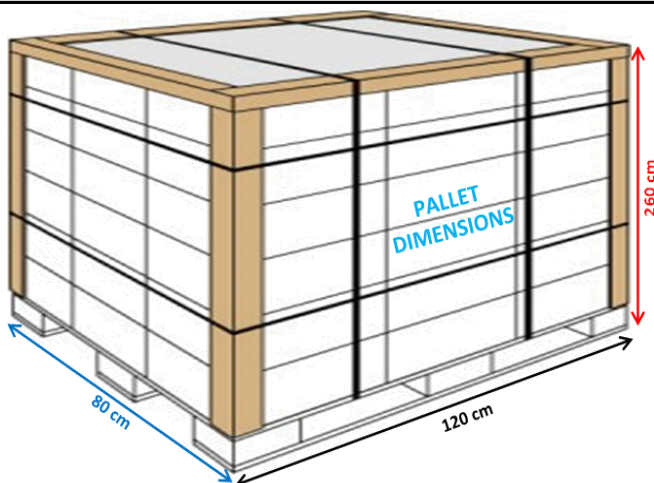
Buckets and lids are produced by polypropylene in grades approved for food packaging according to New Code for Foodstuff and beverages 1998, Chapter II, Art.26.  
Both lid and the bucket are food grade for human consumption.

DYK1185 bucket and lid can be produced with all colors as per the demand of the customer.  
 Production is certificated according to EN ISO 9001:2000.  
 Bucket w/ Handle: 38,7gr (±5%)      Lid: 9,1 gr (±5%)      Volume: 1180 ml

100%  
 Recyclable  
 PP Material



## LOGISTIC & PALLETISING



- Carton Box Dimensions (Bucket) : 40\*60\*44 (w\*l\*h)(cm)
- Quantity / Carton Box (Bucket) : 228 pcs
- Carton Box Dimensions (Lid) : 40\*60\*44 (w\*l\*h)(cm)
- Quantity / Carton Box (Lid) : 1.380 pcs
- Carton Boxes / Pallet : 20 pcs
- Quantity / Pallet (Bucket) : 4.560 pcs
- Quantity / Pallet (Lid) : 27.600 pcs
- Quantity / Standart Truck : 129.191 pcs (sets)
- Quantity / 20'DC Container : 43.063 pcs (sets)
- Quantity / 40'HC Container : 97.872 pcs (sets)

please ask for the quantites loaded without pallets.

