

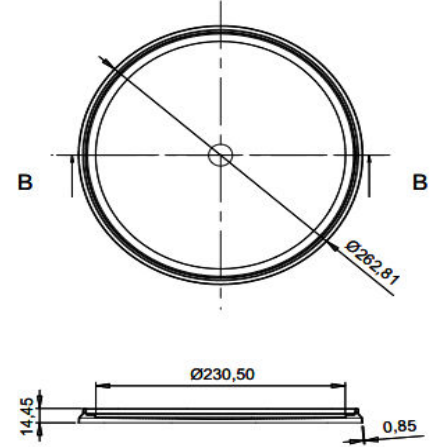
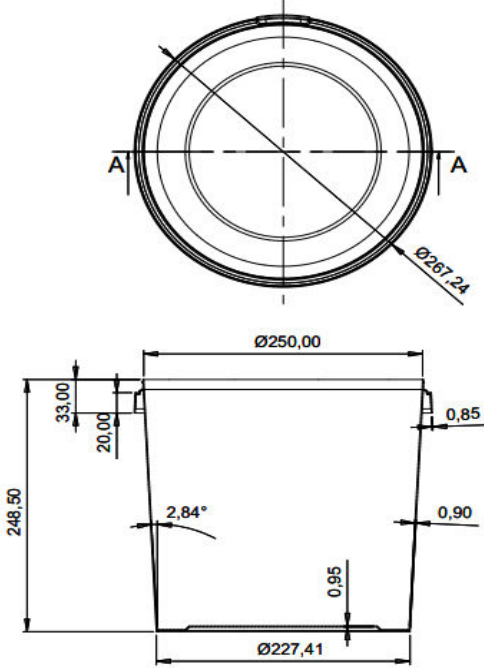
# PRODUCT DATA SHEET

PRODUCT CODE: DYK10000

DESCRIPTION: PP-IML Container for Food Packaging



## TECHNICAL DRAWINGS & PICTURES



## MATERIAL, COLOR, QUALITY CONTROL and WEIGHT

Containers and lids are produced by polypropylene in grades approved for food packaging according to New Code for Foodstuff and beverages 1998, Chapter II, Art.26.

Both lid and the container are food grade for human consumption.

DYK10000 container and lid can be produced with all colors as per the demand of the customer.

Production is certificated according to EN ISO 9001:2000.

Container: 230 gr (±5%)

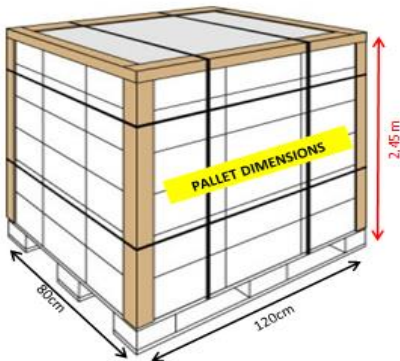
Lid: 60 gr (±5%)

Volume: 10000 ml

100%  
Recyclable  
PP Material



## LOGISTIC & PALLETISING



Box Dimensions	:	80*120*115 cm	(w * l * h)
Boxes per Pallet	:	2	
Quantity per Pallet	:	620 pieces	(Set)
Quantity per Truck	:	20.460 sets	(Set)
Quantity per 40'HC Container	:	15.500 sets	(Set)
Quantity per 20'DC Container	:	6.820 sets	(Set)

