

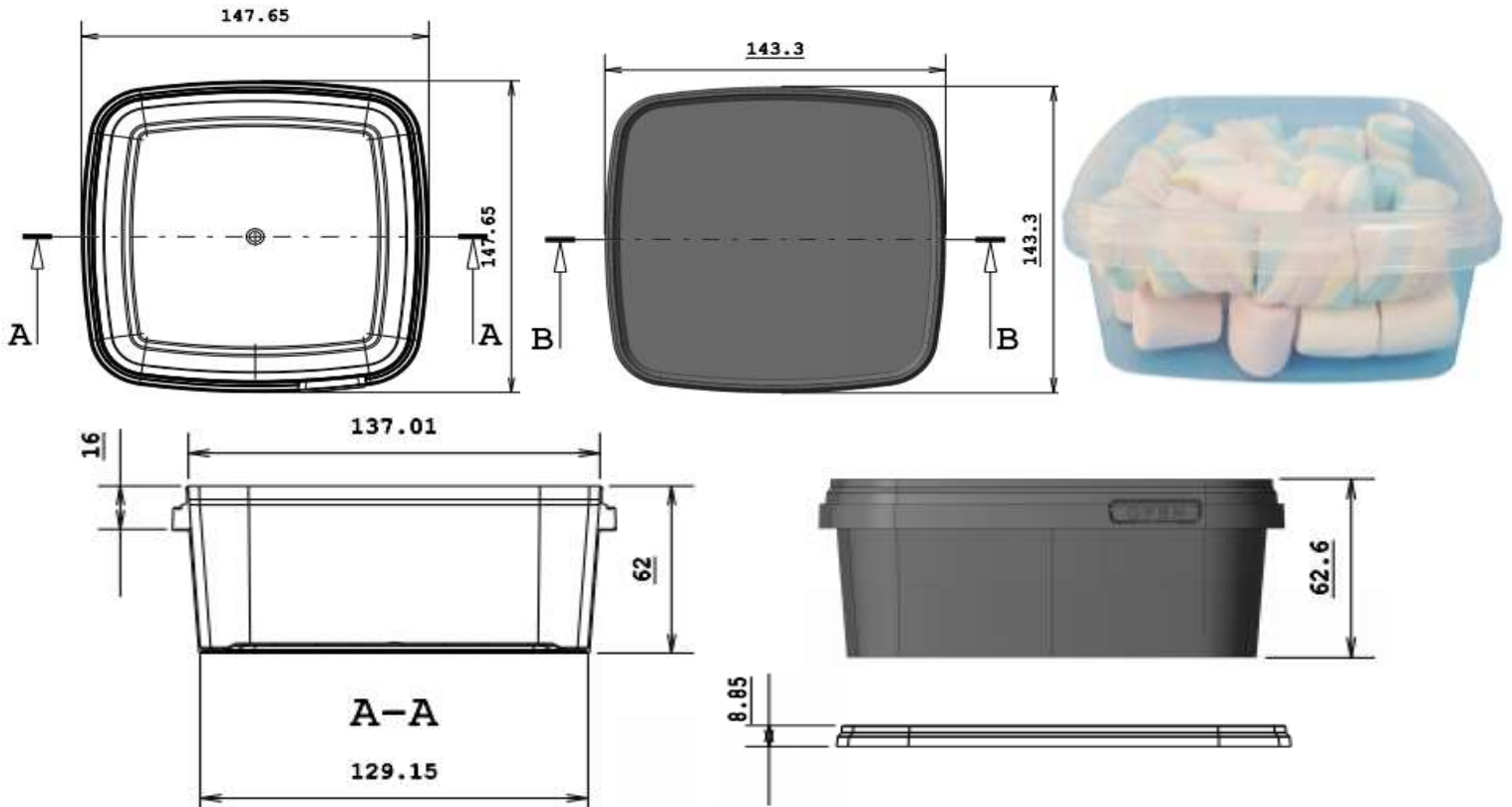
# PRODUCT DATA SHEET

PRODUCT CODE: DKK810

DESCRIPTION: PP-IML Container for Food Packaging



## TECHNICAL DRAWINGS & PICTURES



## MATERIAL, COLOR, QUALITY CONTROL and WEIGHT

Containers and lids are produced by polypropylene in grades approved for food packaging according to New Code for Foodstuff and beverages 1998, Chapter II, Art.26.

Both lid and the container are food grade for human consumption.

DKK810 container and lid can be produced with all colors as per the demand of the customer.

Production is certificated according to EN ISO 9001:2000.

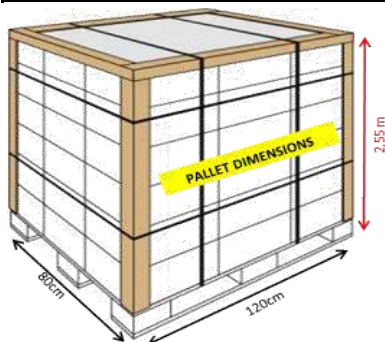
Container: 32 gr (±1)

Lid: 13 gr (±1)

Volume: 800 ml



## LOGISTIC & PALLETISING



Box Dimensions (tub)	:	40*60*48 cm	(w * l * h)
Box Dimensions (lid)	:	40*60*48 cm	(w * l * h)
Boxes per Pallet	:	20	
Quantity per Pallet	:	34.800 pieces	(Tub)
Quantity per Pallet	:	30.800 pieces	(Lid)
Quantity per Truck	:	539.000 sets	(Set = Body + Lid)
Quantity per 40'HC Container	:	392.000 sets	(Set = Body + Lid)
Quantity per 20'DC Container	:	180.000 sets	(Set = Body + Lid)

