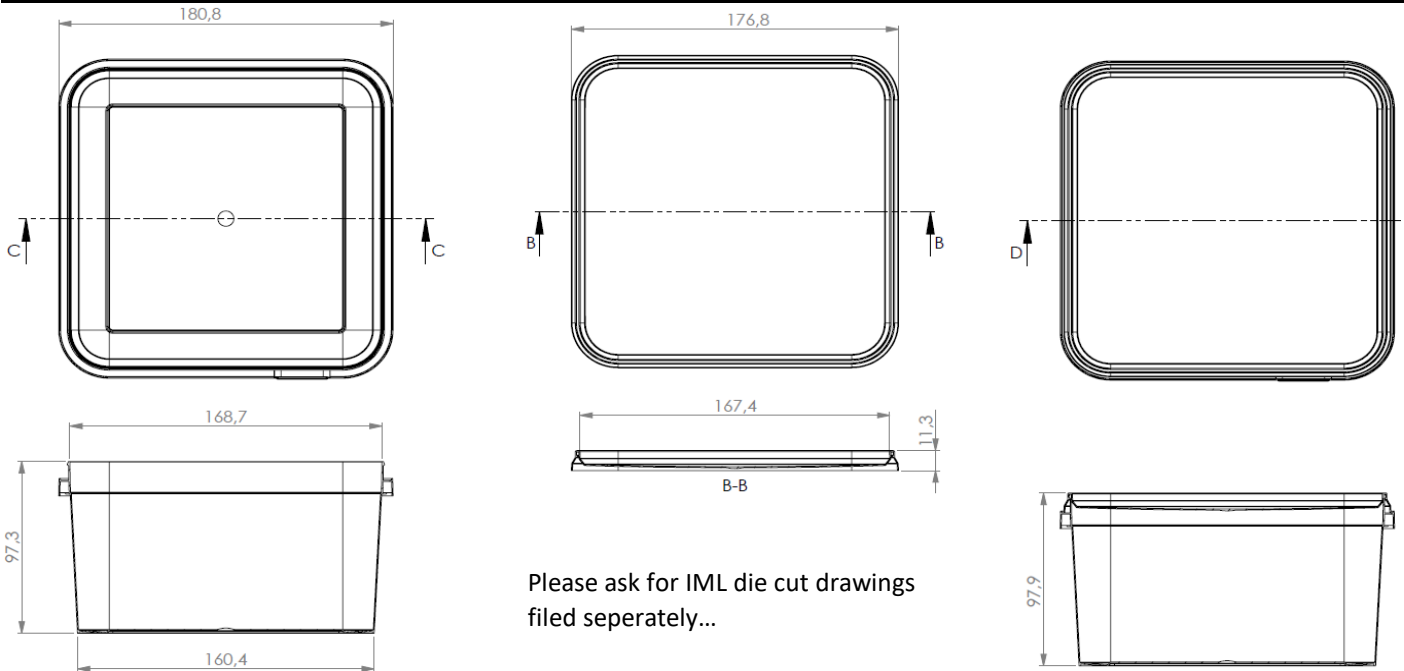


Date : 01.10.2020
 Product Code : DKK2100 [PP, IML, Tamper Evident, Container + PP Lid]
 Subject : Product Data Sheet

TECHNICAL DRAWINGS & PICTURES



MATERIAL, COLOR, QUALITY CONTROL and WEIGHT

Divan Ambalaj tubs and lids are produced by polypropylene in grades approved for food packaging according to New Code for Foodstuff and beverages 1998, Chapter II, Art.26.

Both lid and the container are food grade for human consumption.

DKK2100 tub and lid can be produced with all colors including transparent.

Production is certificated according to EN ISO 9001:2000.

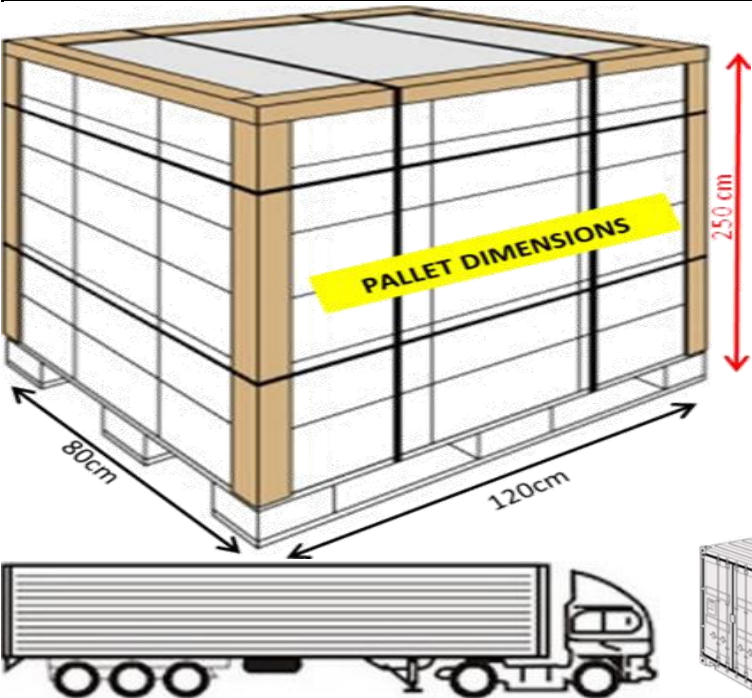
Tub: 64,0 gr (±1)

Lid: 24,0 gr (±1)

Volume: 2.100 ml



LOGISTIC & PALLETISING



Quantity / Truck : 62.000 pieces

Quantity / 20'DC Container : 21.000 pieces

Quantity / 40'HC Container : 45.000 pieces

