

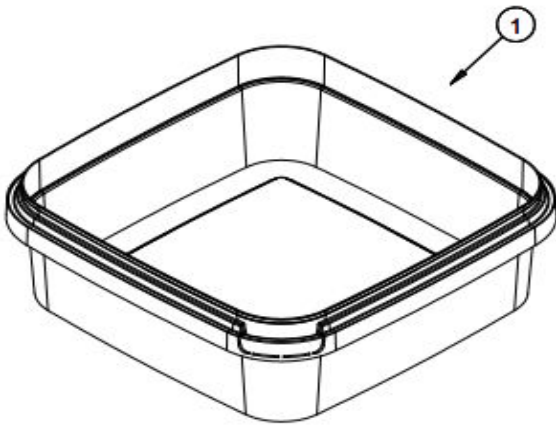
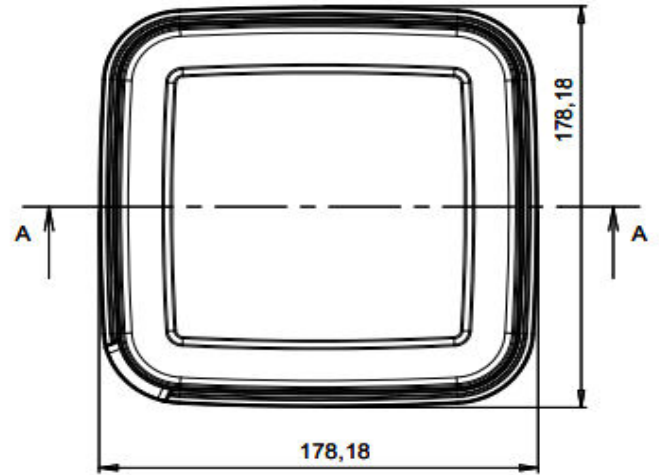
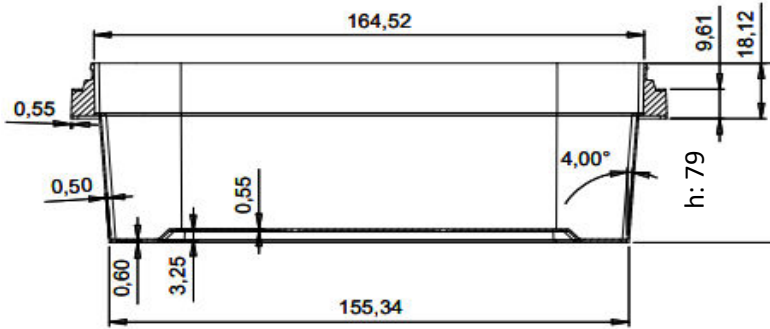
# PRODUCT DATA SHEET

PRODUCT CODE: DKK1500

DESCRIPTION: PP-IML Container for Food Packaging



## TECHNICAL DRAWINGS & PICTURES



## MATERIAL, COLOR, QUALITY CONTROL and WEIGHT

Containers and lids are produced by polypropylene in grades approved for food packaging according to New Code for Foodstuff and beverages 1998, Chapter II, Art.26.

Both lid and the container are food grade for human consumption.

100%  
Recyclable  
PP Material



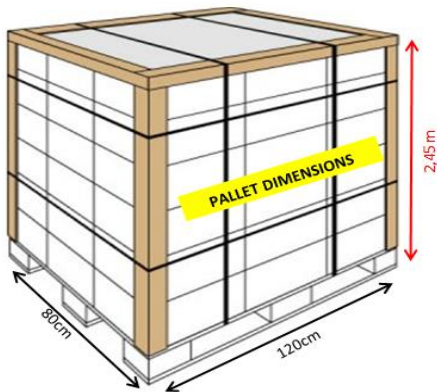
DKK1500 container and lid can be produced with all colors as per the demand of the customer.

Production is certificated according to EN ISO 9001:2000.

Container: 42,2 gr (±%5)      Lid: 21,4 gr (±%5)      Volume: 1500 ml



## LOGISTIC & PALLETISING



|                              |   |               |             |
|------------------------------|---|---------------|-------------|
| Box Dimensions               | : | 80*120*115 cm | (w * l * h) |
| Quantity per Box             | : | 1.152 pieces  | (Set)       |
| Quantity per Pallet          | : | 2.304 pieces  | (Set)       |
| Quantity per Truck           | : | 76.032 sets   |             |
| Quantity per 40'HC Container | : | 57.600 sets   |             |
| Quantity per 20'DC Container | : | 25.344 sets   |             |

