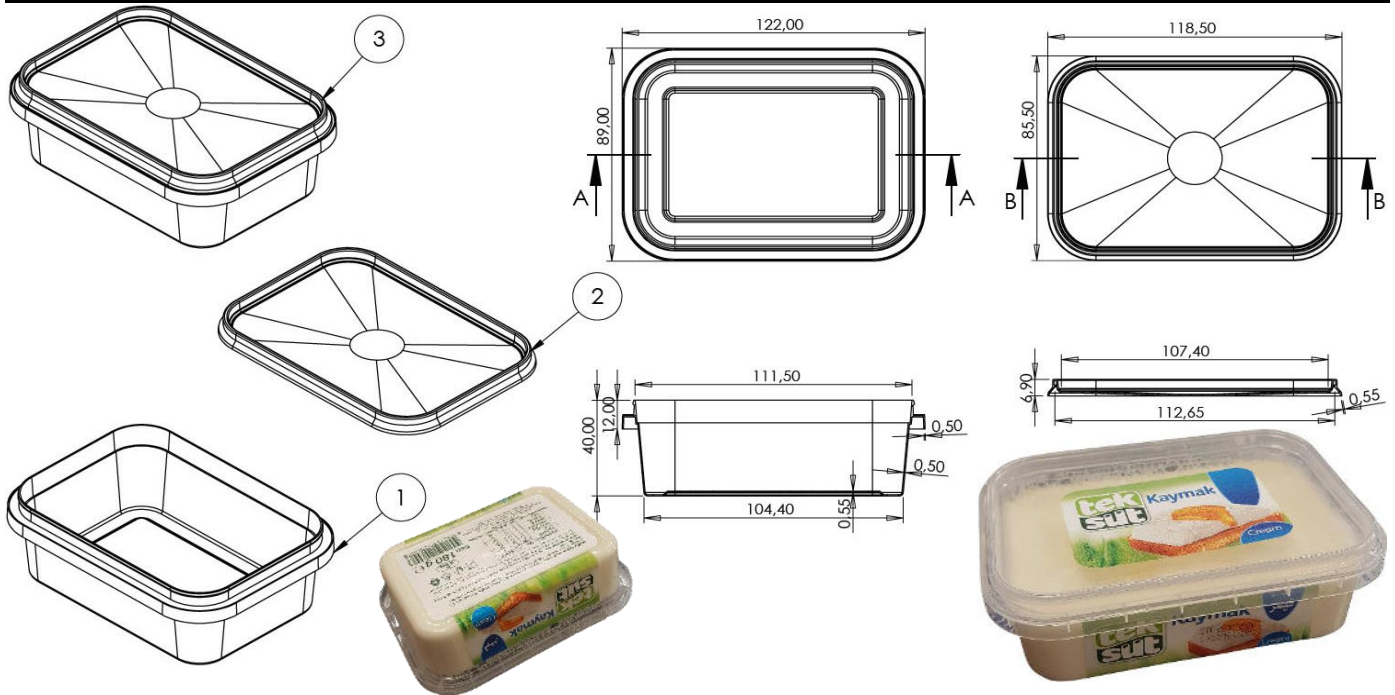


Date : 01.10.2020
 Product Code : D280 [PP, IML, Tamper Evident, Container + PP Lid]
 Subject : Product Data Sheet

TECHNICAL DRAWINGS & PICTURES



MATERIAL, COLOR, QUALITY CONTROL and WEIGHT

Divan Ambalaj tubs and lids are produced by polypropylene in grades approved for food packaging according to New Code for Foodstuff and beverages 1998, Chapter II, Art.26.

Both lid and the container are food grade for human consumption.

D280 tub and lid can be produced with all colors including transparent.

Production is certificated according to EN ISO 9001:2000.

Tub: 13,0 gr (±1)

Lid: 6,0 gr (±1)

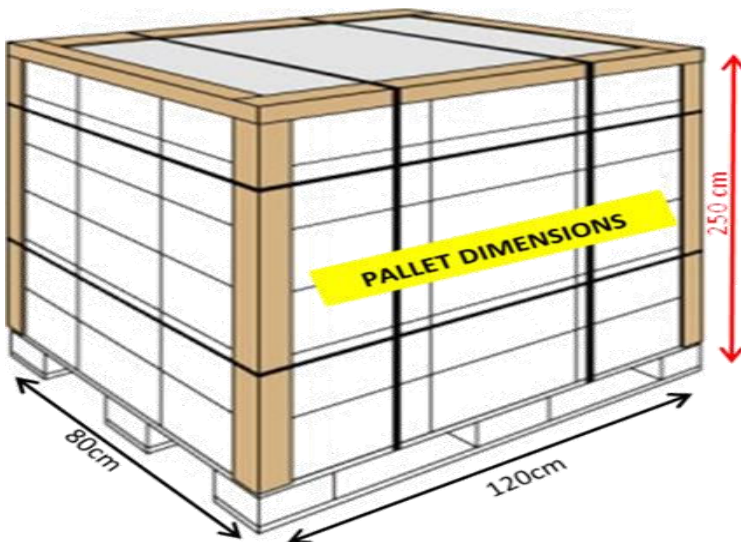
Volume: 280 ml

100%

Recyclable
PP Material



LOGISTIC & PALLETISING



Box Dimensions (w*l*h) : 40*60*47 cm

Quantity / Box : 600 sets

600 pieces of tubs + 600 pieces of lids packed in the same box.

Boxes / Pallet : 20 pcs

Quantity / Pallet : 12.000 pcs

Quantity / Standard Truck : 396.000 pcs

Quantity / 20'DC Container : 132.000 pcs

Quantity / 40'HC Container : 300.000 pcs

